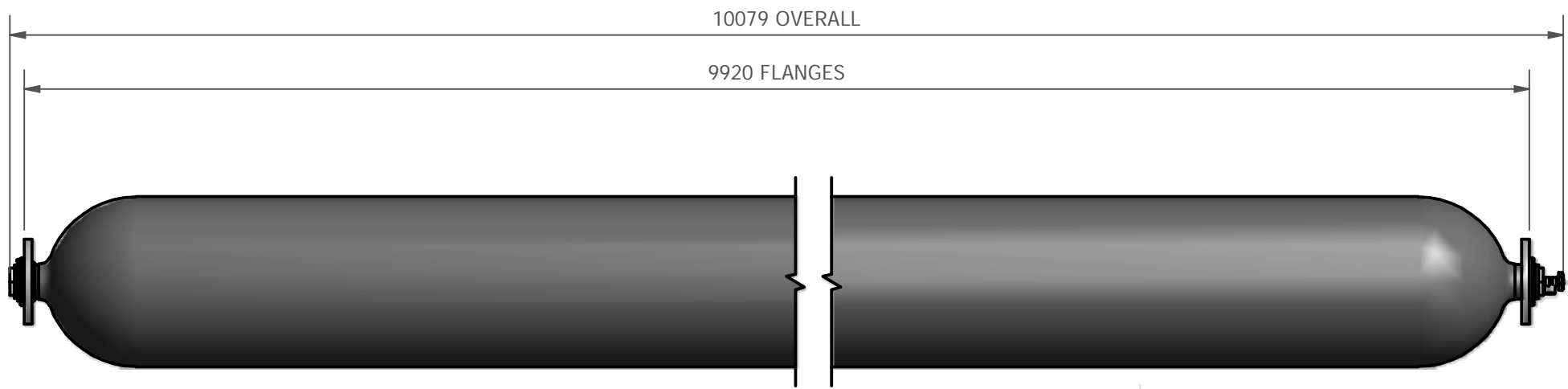
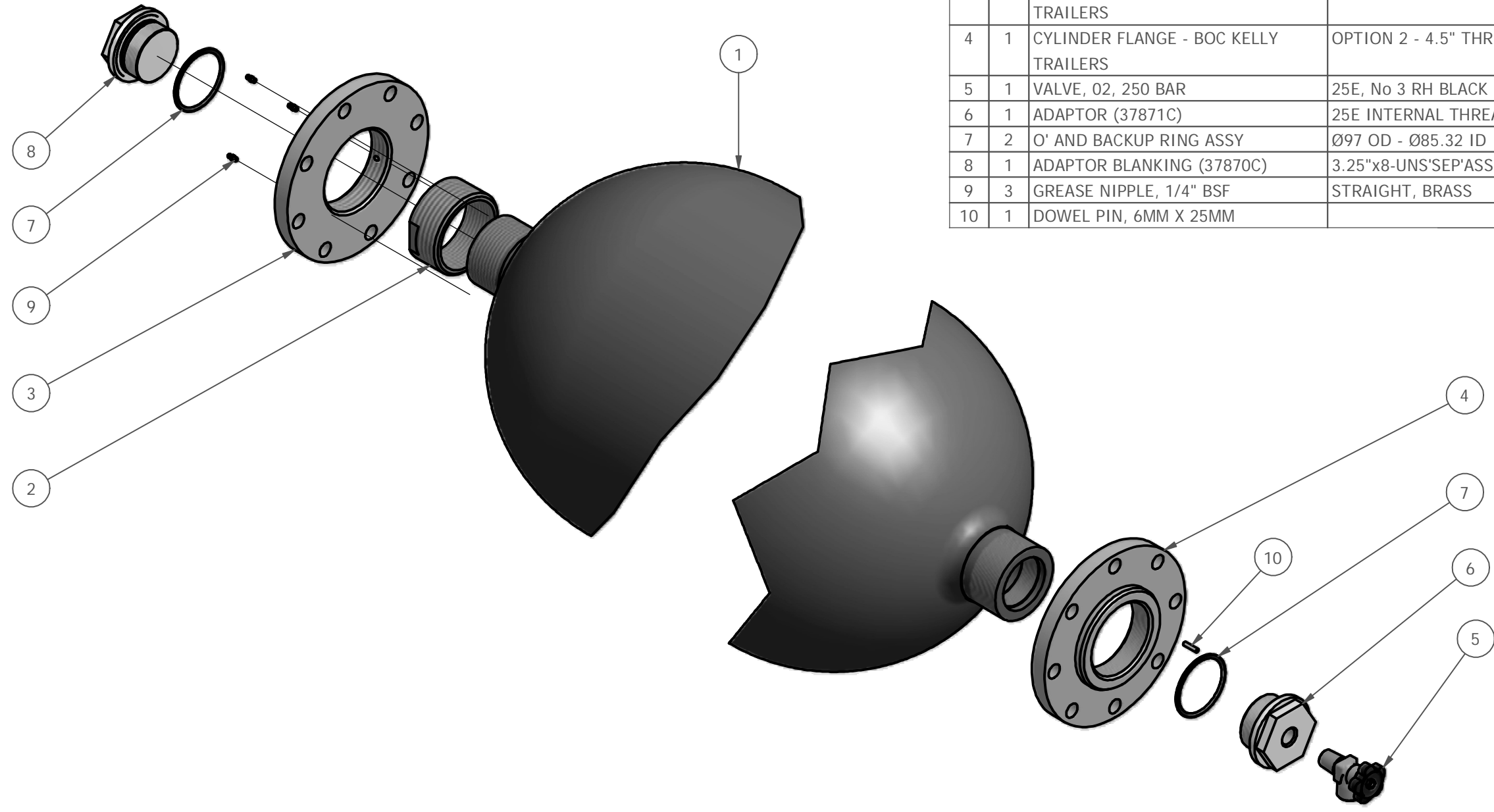



Bill of Materials						
No.	Qty	Title	Description	Folio No.	Drng No.	Rev
1	1	CYL.2000L.207 BAR 559 DIA	ISO11120	-FIB2S1	39071-01	
2	1	SACRIFICIAL SLEEVE	BOC KELLY TRAILERS	991917	991917	
3	1	CYLINDER FLANGE - BOC KELLY TRAILERS	OPTION 1 - 5" THREAD	991918	37505C-01	1
4	1	CYLINDER FLANGE - BOC KELLY TRAILERS	OPTION 2 - 4.5" THREAD	991919	37505C-02	
5	1	VALVE, O2, 250 BAR	25E, No 3 RH BLACK MARINE	980622		-
6	1	ADAPTOR (37871C)	25E INTERNAL THREAD	991995	37871C	1
7	2	O' AND BACKUP RING ASSY	Ø97 OD - Ø85.32 ID	991744	36944P	
8	1	ADAPTOR BLANKING (37870C)	3.25"x8-UNS'SEP'ASSESSSED	991996	37870C	5
9	3	GREASE NIPPLE, 1/4" BSF	STRAIGHT, BRASS	991915		
10	1	DOWEL PIN, 6MM X 25MM		992450		



Title : CYL ASS:2000L-207 BAR			
Subtitle : HELIUM-TRAILER BUILD			
Drawn :	M.Gavin	Original Scale :	
Date :	13/10/2008	Revision :	-
Material :		MACHINING INSTRUCTIONS	
TOLERANCES - LINEAR ± 0.5 ANGULAR ± 0.5		MILLIMETERS (mm)	
 <p>CHESTERFIELD SPECIAL CYLINDERS Chesterfield Special Cylinders Ltd Meadowhall Road, Sheffield, S9 1BT, UK http://www.chesterfieldcylinders.co.uk Registered in England No 4869273 © CHESTERFIELD SPECIAL CYLINDERS Ltd.</p>		6.3/ 6.3 CLA ROUGH MACHINE	
		3.2/ 3.2 CLA MEDIUM MACHINE	
		1.6/ 1.6 CLA SMOOTH MACHINE	
		0.8/ 0.8 CLA VERY SMOOTH MACHINE	
		0.4/ 0.4 CLA GROUND MACHINE	
		Drng. No.	39085